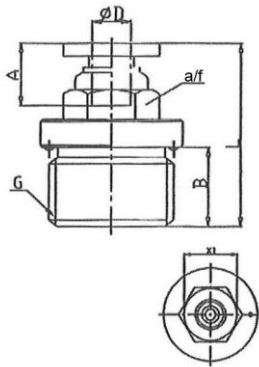


Push-in fittings series manufactured in plastic and nickel-plated brass.  
All parts are suitable for use with hoses, tubes or pipes made of plastic and copper.

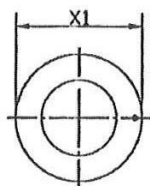
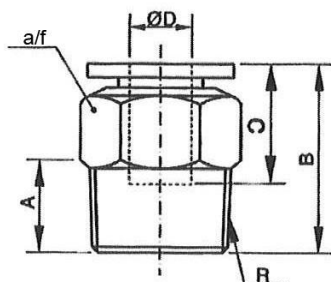
Working pressure:	-0.95 - 10
Max. working pressure short term:	15 bar*
Temperature range:	-20 °C to 80 °C
Material:	Plastic and nickel-plated brass
Sleeve:	Plastic
Sealing surface:	Parallel version: O-ring in housing Conical version: PTFE thread coating
Medium:	Compressed air, neutral and safe gases and liquids*
Recommended hose:	PU or PA (nylon)



122.014-10

**Male connector, parallel male thread with O-ring (NBR) and outer hex**

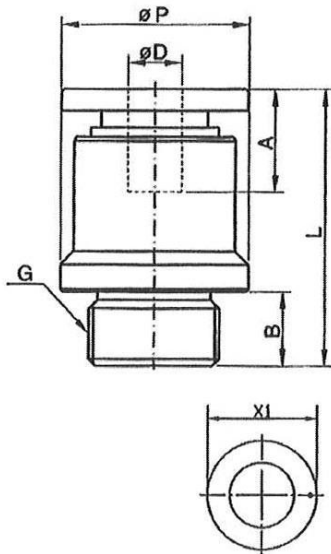
Art. No.	Type No.	Ø D mm	Thread	L mm	A mm	B mm	a/f mm	Hexagon socket head mm	X1 mm
109112	122.005-4	4	M5	20.8	14.9	4.0	10	2	10.0
109113	122.005-6	6	M5	22.2	16.0	4.0	12	2	12.0
109114	122.018-4	4	G 1/8	19.3	14.9	5.5	10	3	10.0
109115	122.018-6	6	G 1/8	20.2	16.0	5.5	12	4	12.0
109116	122.018-8	8	G 1/8	27.1	18.1	5.5	14	5	14.0
109117	122.018-10	10	G 1/8	28.9	20.3	5.5	17	5	17.0
109118	122.018-12	12	G 1/8	31.6	22.7	5.5	21	5	20.0
109119	122.014-4	4	G 1/4	17.4	14.9	6.5	10	3	10.0
109120	122.014-6	6	G 1/4	20.9	16.0	6.5	12	4	12.0
109121	122.014-8	8	G 1/4	23.0	18.1	6.5	14	6	14.0
109122	122.014-10	10	G 1/4	29.9	20.3	6.5	17	6	17.0
109123	122.014-12	12	G 1/4	32.6	22.7	6.5	21	6	20.0
109124	122.038-6	6	G 3/8	19.5	16.0	7.5	12	4	12.0
109125	122.038-8	8	G 3/8	22.1	18.1	7.5	14	6	14.0
109126	122.038-10	10	G 3/8	25.9	20.3	7.5	17	8	17.0
109127	122.038-12	12	G 3/8	28.6	22.7	7.5	21	8	20.0
135627	122.038-14	14	G 3/8	34.9	24.3	7.5	22	8	23.5
109128	122.038-16	16	G 3/8	36.1	24.0	7.5	24	8	23.5
109129	122.012-6	6	G 1/2	22.6	16.0	9.5	12	4	12.0
109130	122.012-8	8	G 1/2	23.2	18.1	9.5	14	6	14.0
109131	122.012-10	10	G 1/2	24.5	20.3	9.5	17	8	17.0
109132	122.012-12	12	G 1/2	31.1	22.7	9.5	21	8	20.0
135628	122.012-14	14	G 1/2	34.9	24.3	9.5	24	10	23.5
109133	122.012-16	16	G 1/2	38.1	25.0	9.5	24	10	23.5



123.014-10

**Male connector**, conical male thread, coated with outer hex

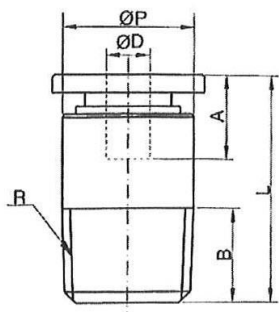
Art. No.	Type No.	Ø D mm	Thread	A mm	B mm	a/f mm	Hexagon socket head mm	X1 mm	C mm
109134	123.018-4	4	R 1/8	7.5	19.8	10	3	10.0	14.9
109135	123.018-6	6	R 1/8	7.5	20.7	12	4	12.0	16.0
109136	123.018-8	8	R 1/8	7.5	27.1	14	5	14.0	18.1
109137	123.018-10	10	R 1/8	7.5	29.6	17	5	17.0	20.3
109138	123.018-12	12	R 1/8	7.5	31.6	21	5	20.0	22.7
109139	123.014-4	4	R 1/4	9.5	17.9	14	3	10.0	14.9
109140	123.014-6	6	R 1/4	9.5	22.5	14	4	12.0	16.0
109141	123.014-8	8	R 1/4	9.5	24.6	14	5	14.0	18.1
109142	123.014-10	10	R 1/4	9.5	30.9	17	6	17.0	20.3
109143	123.014-12	12	R 1/4	9.5	33.6	21	6	20.0	22.7
109144	123.038-6	6	R 3/8	10.5	20.1	17	4	12.0	16.0
109145	123.038-8	8	R 3/8	10.5	24.6	17	6	14.0	18.1
109146	123.038-10	10	R 3/8	10.5	26.9	17	8	17.0	20.3
109147	123.038-12	12	R 3/8	10.5	29.6	21	8	20.0	22.7
135629	123.038-14	14	R 3/8	10.5	36.9	22	8	23.5	24.3
109148	123.038-16	16	R 3/8	10.5	38.1	24	8	23.5	25.0
109149	123.012-6	6	R 1/2	13.5	24.1	21	4	12.0	16.0
109150	123.012-8	8	R 1/2	13.5	25.6	21	6	14.0	18.1
109151	123.012-10	10	R 1/2	13.5	25.3	21	8	17.0	20.3
109152	123.012-12	12	R 1/2	13.5	32.6	21	8	20.0	22.7
135630	123.012-14	14	R 1/2	13.5	33.9	22	10	23.5	24.3
109153	123.012-16	16	R 1/2	13.5	35.1	24	10	23.5	25.0



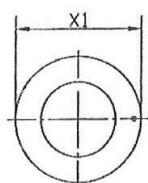
207.018-10

**Male connector**, round, parallel male thread with O-ring (NBR) and inner hex

Art. No.	Type No.	Ø D mm	Thread	L mm	A mm	B mm	Ø P mm	Hexagon socket head mm	X1 mm
109154	207.005-4	4	M5	20.8	14.6	4.0	10.0	2	10.0
109155	207.005-6	6	M5	22.4	16.2	4.0	12.0	2	12.0
109156	207.018-4	4	G 1/8	19.3	14.9	5.5	14.0	3	10.0
109157	207.018-6	6	G 1/8	20.2	16.0	5.5	14.0	4	12.0
109158	207.018-8	8	G 1/8	27.0	18.2	5.5	14.0	5	14.0
109159	207.018-10	10	G 1/8	28.9	20.3	5.5	17.0	5	17.0
109160	207.018-12	12	G 1/8	31.6	22.7	5.5	20.0	5	20.0
109161	207.014-4	4	G 1/4	18.0	14.9	6.5	17.0	3	10.0
109162	207.014-6	6	G 1/4	20.9	16.0	6.5	17.0	4	12.0
109163	207.014-8	8	G 1/4	23.0	18.2	6.5	17.0	5	14.0
109164	207.014-10	10	G 1/4	29.9	20.3	6.5	17.0	6	17.0
109165	207.014-12	12	G 1/4	32.6	22.7	6.5	21.0	6	20.0
109166	207.038-6	6	G 3/8	19.5	16.0	7.5	20.0	4	12.0
109167	207.038-8	8	G 3/8	22.1	18.2	7.5	20.0	6	14.0
109168	207.038-10	10	G 3/8	25.9	20.3	7.5	20.0	8	17.0
109169	207.038-12	12	G 3/8	28.6	22.7	7.5	21.0	8	20.0
135631	207.038-14	14	G 3/8	35.0	24.3	7.5	22.0	8	23.5
109170	207.038-16	16	G 3/8	35.1	25.0	7.5	24.0	8	23.5
109171	207.012-8	8	G 1/2	24.1	18.2	9.5	24.0	6	14.0
109172	207.012-10	10	G 1/2	25.3	20.3	9.5	24.0	8	17.0
109173	207.012-12	12	G 1/2	31.1	22.7	9.5	24.0	8	20.0
135632	207.012-14	14	G 1/2	35.0	24.3	9.5	24.0	10	23.5
109174	207.012-16	16	G 1/2	38.1	25.0	9.5	24.0	10	23.5

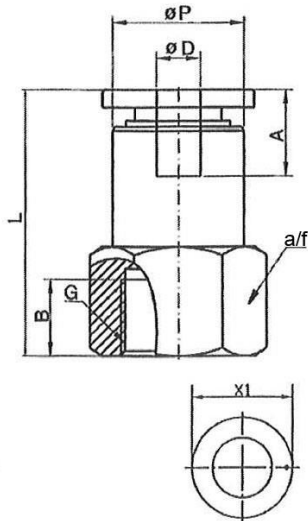


208.018-10



**Male connector**, round, conical male thread, coated with inner hex

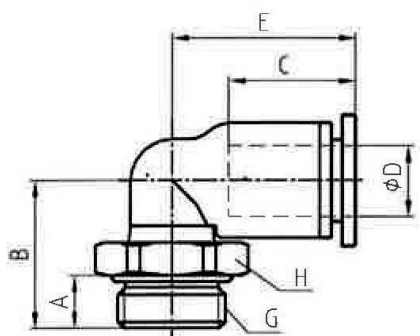
Art. No.	Type No.	Ø D mm	Thread	L mm	A mm	B mm	Ø P mm	Hexagon socket head mm	X1 mm
109175	208.018-4	4	R 1/8	19.8	14.9	7.5	10.0	3	10.0
109176	208.018-6	6	R 1/8	20.7	16.0	7.5	12.0	4	12.0
109177	208.018-8	8	R 1/8	27.1	18.2	7.5	14.0	5	14.0
109178	208.018-10	10	R 1/8	29.6	20.3	7.5	17.0	5	17.0
109179	208.014-4	4	R 1/4	17.9	14.0	9.5	14.0	3	10.0
109180	208.014-6	6	R 1/4	22.5	16.0	9.5	14.0	4	12.0
109181	208.014-8	8	R 1/4	24.6	18.2	9.5	14.0	5	14.0
109182	208.014-10	10	R 1/4	30.9	20.3	9.5	17.0	6	17.0
109183	208.038-6	6	R 3/8	20.1	16.0	10.5	17.0	4	12.0
109184	208.038-8	8	R 3/8	24.6	18.2	10.5	17.0	6	14.0
109185	208.038-10	10	R 3/8	26.9	20.3	10.5	17.0	8	17.0
109186	208.038-12	12	R 3/8	29.6	22.7	10.5	21.0	8	20.0
135633	208.038-14	14	R3/8	37.0	24.3	10.5	22.0	8	23.5
109187	208.038-16	16	R 3/8	38.1	25.0	10.5	24.0	8	23.5
109188	208.012-6	6	R 1/2	24.1	16.0	13.5	21.0	4	12.0
109189	208.012-8	8	R 1/2	25.6	18.2	13.5	21.0	6	14.0
109190	208.012-10	10	R 1/2	25.3	20.3	13.5	21.0	8	17.0
109191	208.012-12	12	R 1/2	32.6	22.7	13.5	21.0	8	20.0
135634	208.012-14	14	R 1/2	34.0	24.3	13.5	22.0	10	23.5
109192	208.012-16	16	R 1/2	35.1	25.0	13.5	24.0	10	23.5



124.014-8

**Female connector**, parallel female thread with outer hex

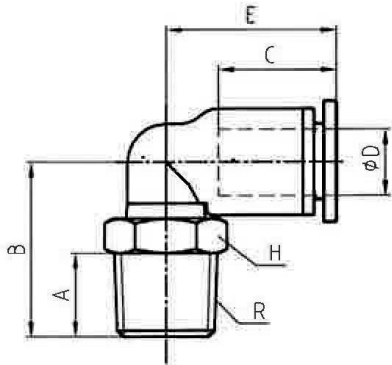
Art. No.	Type No.	Ø D mm	Thread	L mm	A mm	B mm	Ø P mm	a/f mm	X1 mm
109193	124.005-4	4	M5	21.3	14.6	5.0	10.0	10	10.0
109194	124.005-6	6	M5	22.2	16.2	5.0	12.0	12	12.0
109195	124.018-4	4	G 1/8	23.8	14.6	7.0	10.0	14	10.0
109196	124.018-6	6	G 1/8	25.2	16.2	7.0	12.0	14	12.0
109197	124.018-8	8	G 1/8	27.1	18.1	7.0	14.0	14	14.0
109198	124.018-10	10	G 1/8	28.5	20.5	7.0	17.0	14	17.0
109199	124.014-4	4	G 1/4	26.8	16.2	10.0	10.0	17	10.0
109200	124.014-6	6	G 1/4	28.2	16.2	10.0	12.0	17	12.0
109201	124.014-8	8	G 1/4	30.1	18.1	10.0	14.0	17	14.0
109202	124.014-10	10	G 1/4	32.2	20.5	10.0	17.0	17	17.0
109203	124.014-12	12	G 1/4	34.6	21.7	10.0	20.0	17	20.0
109204	124.038-6	6	G 3/8	29.2	16.2	11.0	12.0	21	12.0
109205	124.038-8	8	G 3/8	31.1	18.1	11.0	14.0	21	14.0
109206	124.038-10	10	G 3/8	33.4	20.5	11.0	17.0	21	17.0
109207	124.038-12	12	G 3/8	35.6	21.7	11.0	20.0	21	20.0
135635	124.038-14	14	G 3/8	37.5	24.3	7.5	14.0	22	23.5
135636	124.038-16	16	G 3/8	38.5	24.5	11.0	23.8	24	23.5
109208	124.012-6	6	G 1/2	31.2	16.2	13.0	12.0	24	12.0
109209	124.012-8	8	G 1/2	33.1	18.1	13.0	14.0	24	14.0
109210	124.012-10	10	G 1/2	35.2	20.5	13.0	17.0	24	17.0
109211	124.012-12	12	G 1/2	37.6	21.7	13.0	20.0	24	20.0
135637	124.012-14	14	G 1/2	39.5	24.3	9.5	14.0	24	23.5
109212	124.012-16	16	G 1/2	39,7	24,5	13,0	23,8	24	23,5



125.018-6

**Male elbow, swivel type, parallel male thread with O-ring (NBR)**

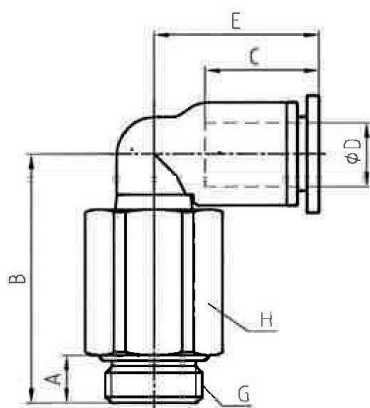
Art. No.	Type No.	Ø D mm	Thread	A mm	B mm	C mm	E mm	H mm
109259	125.005-4	4	M5	4.0	18.6	14.9	18.8	8
109260	125.005-6	6	M5	4.0	19.6	16.0	20.1	8
109261	125.018-4	4	G 1/8	5.5	17.5	14.9	18.8	10
109262	125.018-6	6	G 1/8	5.5	18.5	16.0	20.0	10
109263	125.018-8	8	G 1/8	5.5	22.0	18.3	22.5	14
109264	125.018-10	10	G 1/8	5.5	23.3	21.0	26.9	17
109265	125.014-4	4	G 1/4	6.5	19.0	14.9	18.8	10
109266	125.014-6	6	G 1/4	6.5	20.0	16.0	20.0	10
109267	125.014-8	8	G 1/4	6.5	20.5	18.3	22.5	12
109268	125.014-10	10	G 1/4	6.5	24.3	21.0	26.9	17
109269	125.014-12	12	G 1/4	6.5	25.8	22.6	28.5	17
109270	125.038-6	6	G 3/8	7.5	21.1	16.0	20.0	12
109271	125.038-8	8	G 3/8	7.5	21.6	18.3	22.5	12
109272	125.038-10	10	G 3/8	7.5	22.8	21.0	26.9	20
109273	125.038-12	12	G 3/8	7.5	24.3	22.6	28.5	20
135638	125.038-14	14	G 3/8	7.5	31.7	24.3	33.3	20
109274	125.038-16	16	G 3/8	7.5	32.3	25.0	33.5	20
109275	125.012-6	6	G 1/2	9.0	23.5	16.0	20.0	12
109276	125.012-8	8	G 1/2	9.0	24.0	18.3	22.5	14
109277	125.012-10	10	G 1/2	9.0	25.7	21.0	26.9	17
109278	125.012-12	12	G 1/2	9.0	27.2	22.6	28.5	17
135639	125.012-14	14	G 1/2	9.0	29.9	24.3	33.3	24
109279	125.012-16	16	G 1/2	9.0	29.9	25.0	33.5	24



126.038-10

**Male elbow**, swivel type, conical male thread, coated

Art. No.	Type No.	Ø D mm	Thread	A mm	B mm	C mm	E mm	H mm
109280	126.018-4	4	R 1/8	7.5	18.5	14.9	18.8	10
109281	126.018-6	6	R 1/8	7.5	19.5	16.0	20.1	10
109282	126.018-8	8	R 1/8	7.5	22.9	18.3	22.5	10
109283	126.014-4	4	R 1/4	9.5	20.0	14.9	18.8	14
109284	126.014-6	6	R 1/4	9.5	21.0	16.0	20.1	14
109285	126.014-8	8	R 1/4	9.5	21.5	18.3	22.5	14
109286	126.014-10	10	R 1/4	9.5	26.3	21.0	26.9	17
109287	126.014-12	12	R 1/4	9.5	27.8	22.7	28.4	17
109288	126.038-6	6	R 3/8	10.5	22.5	16.0	20.1	17
109289	126.038-8	8	R 3/8	10.5	23.0	18.3	22.5	17
109290	126.038-10	10	R 3/8	10.5	24.8	21.0	26.9	17
109291	126.038-12	12	R 3/8	10.5	26.3	22.7	28.4	17
135640	126.038-14	14	R 3/8	10.5	33.7	24.3	33.3	20
109292	126.038-16	16	R 3/8	10.5	33.7	25.0	33.5	20
109293	126.012-6	6	R 1/2	13.5	25.5	16.0	20.1	21
109294	126.012-8	8	R 1/2	13.5	26.0	18.3	22.5	21
109295	126.012-10	10	R 1/2	13.5	27.8	21.0	26.9	21
109296	126.012-12	12	R 1/2	13.5	29.3	22.7	28.4	21
135641	126.012-14	14	R 1/2	13.5	36.7	24.3	33.3	21
109297	126.012-16	16	R 1/2	13.5	36.7	25.0	33.5	21

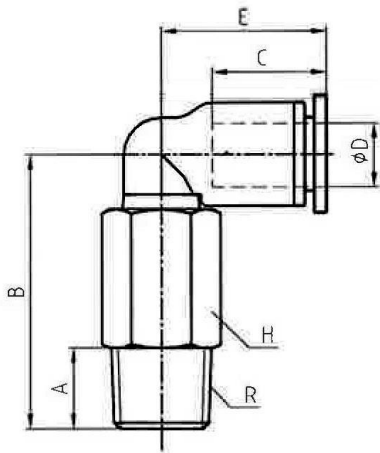


127.018-6

**Male elbow, long, swivel type, parallel male thread with O-ring (NBR)**

Art. No.	Type No.	Ø D mm	Thread	A mm	B mm	C mm	E mm	H mm
109298	127.005-4	4	M5	4.0	32.5	14.9	18.8	8
109299	127.005-6	6	M5	4.0	33.5	16.0	20.0	8
109300	127.018-4	4	G 1/8	5.5	30.5	14.9	18.8	14
109301	127.018-6	6	G 1/8	5.5	31.5	16.0	20.0	14
109302	127.018-8	8	G 1/8	5.5	37.8	18.3	22.5	14
109303	127.018-10	10	G 1/8	5.5	45.4	21.0	26.9	17
109304	127.018-12	12	G 1/8	5.5	46.9	22.6	28.5	17
109305	127.014-4	4	G 1/4	6.5	30.5	14.9	18.8	17
109306	127.014-6	6	G 1/4	6.5	31.5	16.0	20.0	17
109307	127.014-8	8	G 1/4	6.5	33.8	18.3	22.5	17
109308	127.014-10	10	G 1/4	6.5	46.4	21.0	26.9	17
109309	127.014-12	12	G 1/4	6.5	47.9	22.6	28.5	17
109310	127.038-6	6	G 3/8	7.5	32.6	16.0	20.0	20
109311	127.038-8	8	G 3/8	7.5	34.9	18.3	22.5	20
109312	127.038-10	10	G 3/8	7.5	43.4	21.0	26.9	20
109313	127.038-12	12	G 3/8	7.5	49.9	22.6	28.5	20
135642	127.038-14	14	G 3/8	7.5	58.2	24.3	33.3	20
109314	127.038-16	16	G 3/8	7.5	58.2	25.0	33.5	20
109315	127.012-6	6	G 1/2	9.0	35.0	16.0	20.0	24
109316	127.012-8	8	G 1/2	9.0	37.3	18.3	22.5	24
109317	127.012-10	10	G 1/2	9.0	45.3	21.0	26.9	24
109318	127.012-12	12	G 1/2	9.0	46.8	22.6	28.5	24
135643	127.012-14	14	G 1/2	9.0	56.4	24.3	33.3	24
109319	127.012-16	16	G 1/2	9.0	54.9	25.0	33.5	24

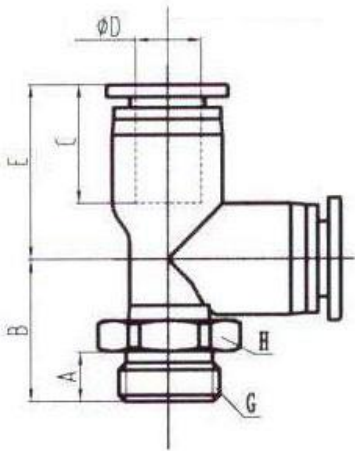




128.018-6

**Male elbow**, long, swivel type, conical male thread, coated

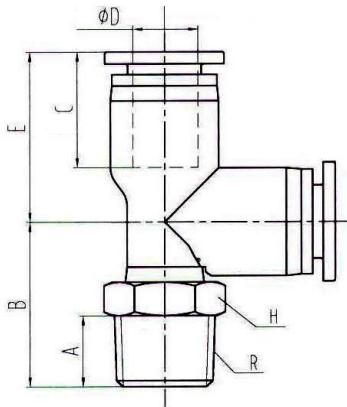
Art. No.	Type No.	Ø D mm	Thread	A mm	B mm	C mm	E mm	H mm
109320	128.018-4	4	R 1/8	7.5	32.5	14.9	18.8	10
109321	128.018-6	6	R 1/8	7.5	33.5	16.0	20.0	10
109322	128.018-8	8	R 1/8	7.5	38.5	18.3	22.5	10
109323	128.018-10	10	R 1/8	7.5	46.5	21.0	26.9	17
109324	128.018-12	12	R 1/8	7.5	48.0	22.6	28.5	17
109325	128.014-4	4	R 1/4	9.5	34.0	14.9	18.8	14
109326	128.014-6	6	R 1/4	9.5	35.0	16.0	20.0	14
109327	128.014-8	8	R 1/4	9.5	37.5	18.3	22.5	14
109328	128.014-10	10	R 1/4	9.5	48.5	21.0	26.9	17
109329	128.014-12	12	R 1/4	9.5	50.0	22.6	28.5	17
109330	128.038-6	6	R 3/8	10.5	36.5	16.0	20.0	17
109331	128.038-8	8	R 3/8	10.5	39.0	18.3	22.5	17
109332	128.038-10	10	R 3/8	10.5	47.0	21.0	26.9	17
109333	128.038-12	12	R 3/8	10.5	48.5	22.6	28.5	17
135644	128.038-14	14	R 3/8	10.5	60.2	24.3	33.3	20
109334	128.038-16	16	R 3/8	10.5	61.0	25.0	33.5	20
109335	128.012-6	6	R 1/2	13.5	39.5	16.0	20.0	21
109336	128.012-8	8	R 1/2	13.5	42.0	18.3	22.5	21
109337	128.012-10	10	R 1/2	13.5	50.0	21.0	26.9	21
109338	128.012-12	12	R 1/2	13.5	51.5	22.6	28.5	21
135645	128.012-14	14	R 1/2	13.5	63.2	24.3	33.3	21
109339	128.012-16	16	R 1/2	13.5	63.5	25.0	33.5	21



129.038-10

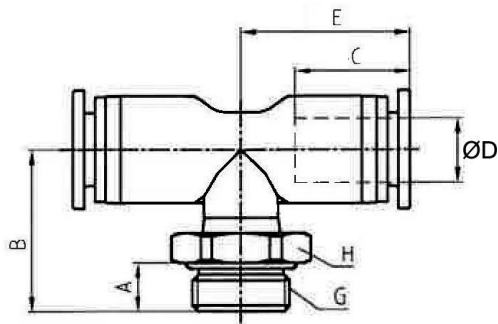
**Male branch tee, angled plug connections, swivel type, parallel male thread with O-ring (NBR)**

Art. No.	Type No.	Ø D mm	Thread	A mm	B mm	C mm	E mm	H mm
109522	129.005-4	4	M5	4.0	19.2	14.9	18.0	8
109523	129.005-6	6	M5	4.0	20.2	16.0	20.1	8
109524	129.018-4	4	G 1/8	5.5	18.1	14.9	18.0	10
109525	129.018-6	6	G 1/8	5.5	19.1	16.0	20.0	10
109526	129.018-8	8	G 1/8	5.5	22.5	18.3	22.7	14
109527	129.018-10	10	G 1/8	5.5	24.4	21.0	26.9	17
109528	129.018-12	12	G 1/8	5.5	25.6	22.6	29.3	17
109529	129.014-4	4	G 1/4	6.5	19.6	14.9	18.0	10
109530	129.014-6	6	G 1/4	6.5	20.6	16.0	20.0	10
109531	129.014-8	8	G 1/4	6.5	21.0	18.3	22.7	12
109532	129.014-10	10	G 1/4	6.5	25.4	21.0	26.9	17
109533	129.014-12	12	G 1/4	6.5	26.6	22.6	29.3	17
109534	129.038-6	6	G 3/8	7.5	21.7	16.0	20.0	12
109535	129.038-8	8	G 3/8	7.5	22.1	18.3	22.7	12
109536	129.038-10	10	G 3/8	7.5	23.9	21.0	26.9	20
109537	129.038-12	12	G 3/8	7.5	25.1	22.6	29.3	20
135650	129.03814	14	G 3/8	7.5	32.2	24.3	31.8	20
109538	129.038-16	16	G 3/8	7.5	31.7	25.0	34.5	20
109539	129.012-6	6	G 1/2	9.0	24.1	16.0	20.0	12
109540	129.012-8	8	G 1/2	9.0	24.5	18.3	22.7	14
109541	129.012-10	10	G 1/2	9.0	26.8	21.0	26.9	17
109542	129.012-12	12	G 1/2	9.0	28.0	22.6	29.3	17
135651	129.012-14	14	G 1/2	9.0	30.4	24.3	31.8	24
109543	129.012-16	16	G 1/2	9.0	29.9	25.0	34.5	24



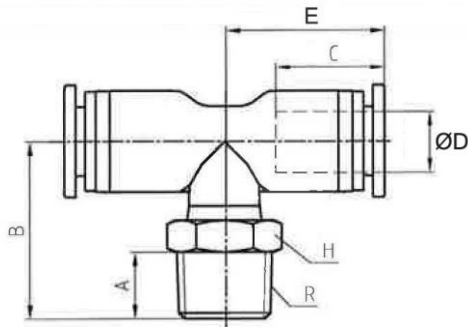
**Male branch tee**, angled plug connections, swivel type, conical male thread, coated

Art. No.	Type No.	Ø D mm	Thread	A mm	B mm	C mm	E mm	H mm
109544	130.018-4	4	R 1/8	7.5	19.1	14.9	18.0	10
109545	130.018-6	6	R 1/8	7.5	20.1	16.0	20.1	10
109546	130.018-8	8	R 1/8	7.5	23.4	18.3	22.7	10
109547	130.018-10	10	R 1/8	7.5	25.4	21.0	26.9	17
109548	130.014-4	4	R 1/4	9.5	20.6	14.9	18.0	14
109549	130.014-6	6	R 1/4	9.5	21.6	16.0	20.1	14
109550	130.014-8	8	R 1/4	9.5	22.0	18.3	22.7	14
109551	130.014-10	10	R 1/4	9.5	27.4	21.0	26.9	17
109552	130.014-12	12	R 1/4	9.5	28.6	22.6	29.3	17
109553	130.038-6	6	R 3/8	10.5	23.1	16.0	20.1	17
109554	130.038-8	8	R 3/8	10.5	23.5	18.3	22.7	17
109555	130.038-10	10	R 3/8	10.5	25.9	21.0	26.9	17
109556	130.038-12	12	R 3/8	10.5	27.1	22.6	29.3	17
135652	130.038-14	14	R 3/8	10.5	34.2	24.3	31.8	20
109557	130.038-16	16	R 3/8	10.5	33.7	25.0	34.5	20
109558	130.012-6	6	R 1/2	13.5	26.1	16.0	20.1	21
109569	130.012-8	8	R 1/2	13.5	26.5	18.3	22.7	21
109560	130.012-10	10	R 1/2	13.5	28.9	21.0	26.9	21
109561	130.012-12	12	R 1/2	13.5	30.1	22.6	29.3	21
135653	130.012-14	14	R 1/2	13.5	37.2	24.3	31.8	21
109562	130.012-16	16	R 1/2	13.5	36.7	25.0	34.5	21



**Male branch tee, swivel type, parallel male thread with O-ring (NBR)**

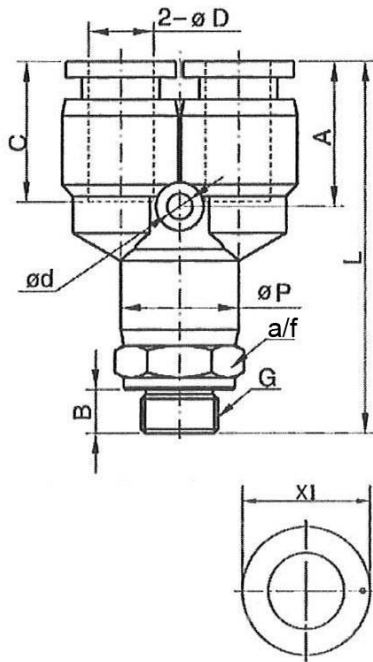
Art. No.	Type No.	Ø D mm	Thread	A mm	B mm	C mm	E mm	H mm
109471	131.005-4	4	M5	4.0	21.1	14.9	18.0	8
109472	131.005-6	6	M5	4.0	22.5	14.9	20.1	8
109473	131.018-4	4	G 1/8	5.5	20.0	14.9	18.0	10
109474	131.018-6	6	G 1/8	5.5	21.1	16.0	20.0	10
109475	131.018-8	8	G 1/8	5.5	25.7	18.3	22.7	14
109476	131.014-4	4	G 1/4	6.5	21.5	14.9	18.0	10
109477	131.014-6	6	G 1/4	6.5	22.6	16.0	20.0	10
109478	131.014-8	8	G 1/4	6.5	24.2	18.3	22.7	12
109479	131.014-10	10	G 1/4	6.5	27.6	21.0	26.9	17
109480	131.014-12	12	G 1/4	6.5	28.9	22.6	29.3	17
109481	131.038-6	6	G 3/8	7.5	21.0	16.0	20.0	20
109482	131.038-8	8	G 3/8	7.5	25.3	18.3	22.7	12
109483	131.038-10	10	G 3/8	7.5	26.1	21.0	26.9	20
109484	131.038-12	12	G 3/8	7.5	27.4	22.6	29.3	20
135646	131.038-14	14	G 3/8	7.5	35.2	24.3	31.8	20
109485	131.038-16	16	G 3/8	7.5	34.2	25.0	34.5	20
109486	131.012-6	6	G 1/2	9.0	26.1	16.0	20.0	12
109487	131.012-8	8	G 1/2	9.0	25.5	18.3	22.7	24
109488	131.012-10	10	G 1/2	9.0	29.0	21.0	26.9	17
109489	131.012-12	12	G 1/2	9.0	30.3	22.6	29.3	17
135647	131.012-14	14	G 1/2	9.0	33.4	24.3	31.8	24
109490	131.012-16	16	G 1/2	9.0	32.4	25.0	34.5	24



132.018-6

**Male branch tee, swivel type, conical male thread, coated**

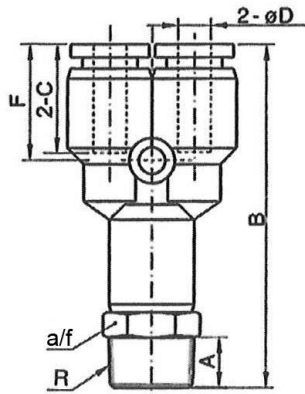
Art. No.	Type No.	Ø D mm	Thread	A mm	B mm	C mm	E mm	H mm
109491	132.018-4	4	R 1/8	7.5	24.0	14.9	18.0	10
109492	132.018-6	6	R 1/8	7.5	22.0	16.0	20.1	10
109493	132.018-8	8	R 1/8	7.5	30.6	18.3	22.7	10
109494	132.014-4	4	R 1/4	9.5	25.5	14.9	18.0	14
109495	132.014-6	6	R 1/4	9.5	27.0	16.0	20.1	14
109496	132.014-8	8	R 1/4	9.5	25.3	18.3	22.7	14
109497	132.014-10	10	R 1/4	9.5	35.6	21.0	26.9	17
109498	132.014-12	12	R 1/4	9.5	32.0	22.6	29.3	17
109499	132.038-6	6	R 3/8	10.5	28.6	16.0	20.1	17
109500	132.038-8	8	R 3/8	10.5	30.7	18.3	22.7	17
109501	132.038-10	10	R 3/8	10.5	24.1	21.0	26.9	17
109502	132.038-12	12	R 3/8	10.5	36.4	22.6	29.3	17
135648	132.038-14	14	R 3/8	10.5	37.2	24.3	31.8	20
109503	132.038-16	16	R 3/8	10.5	43.2	25.0	34.5	20
109504	132.012-6	6	R 1/2	13.5	31.6	16.0	20.1	21
109505	132.012-8	8	R 1/2	13.5	33.7	18.3	22.7	21
109506	132.012-10	10	R 1/2	13.5	37.1	21.0	26.9	21
109507	132.012-12	12	R 1/2	13.5	39.4	22.6	29.3	21
135649	132.012-14	14	R 1/2	13.5	40.2	24.3	31.8	21
109508	132.012-16	16	R 1/2	13.5	39.2	25.0	34.5	21



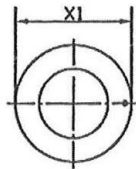
133.014-8

**Male branch Y-fitting, swivel type, parallel male thread with O-ring (NBR)**

Art. No.	Type No.	L mm	A mm	B mm	C mm	Ø P mm	Ø D mm	a/f mm	Thread	Ø d mm	X1 mm
109583	133.005-4	39.5	14.6	4.0	15.0	-	4	10	M5	-	10.0
109584	133.005-6	40.0	14.2	4.0	15.4	-	6	12	M5	-	12.0
109585	133.018-4	42.5	14.2	5.5	14.9	11.0	4	12	G 1/8	3.2	10.0
109586	133.018-6	43.5	14.8	5.5	15.4	13.0	6	14	G 1/8	3.2	12.0
109587	133.018-8	46.3	17.8	5.5	17.8	14.8	8	14	G 1/8	3.2	14.0
109588	133.018-10	55.5	20.6	5.5	20.4	18.4	10	17	G 1/8	4.2	17.0
109589	133.018-12	58.4	21.4	5.5	22.9	21.0	12	21	G 1/8	4.2	20.0
109590	133.014-4	44.0	14.2	6.5	14.9	11.0	4	12	G 1/4	3.2	10.0
109591	133.014-6	45.0	14.8	6.5	15.4	13.0	6	14	G 1/4	3.2	12.0
109592	133.014-8	47.8	17.8	6.5	17.8	14.8	8	17	G 1/4	3.2	14.0
109593	133.014-10	56.5	20.6	6.5	20.4	18.4	10	17	G 1/4	4.2	17.0
109594	133.014-12	59.4	21.4	6.5	22.9	21.0	12	21	G 1/4	4.2	20.0
109595	133.038-6	46.5	14.8	7.5	15.4	13.0	6	14	G 3/8	3.2	12.0
109596	133.038-8	49.3	17.8	7.5	17.8	14.8	8	17	G 3/8	3.2	14.0
109597	133.038-10	58.0	20.6	7.5	20.4	18.4	10	20	G 3/8	4.2	17.0
109598	133.038-12	60.4	21.4	7.5	22.9	21.0	12	21	G 3/8	4.2	20.0
109599	133.038-16	69.0	22.1	7.5	24.0	26.0	16	24	G 3/8	5.1	23.5
109600	133.012-6	49.0	14.8	9.5	15.4	13.0	6	14	G 1/2	3.2	12.0
109601	133.012-8	52.8	17.8	9.5	17.8	14.8	8	17	G 1/2	3.2	14.0
109602	133.012-10	61.5	20.6	9.5	20.4	18.4	10	19	G 1/2	4.2	17.0
109603	133.012-12	63.9	21.4	9.5	23.2	21.0	12	24	G 1/2	4.2	20.0
109604	133.012-16	72.5	22.1	9.5	23.8	21.0	16	24	G 1/2	5.1	23.5

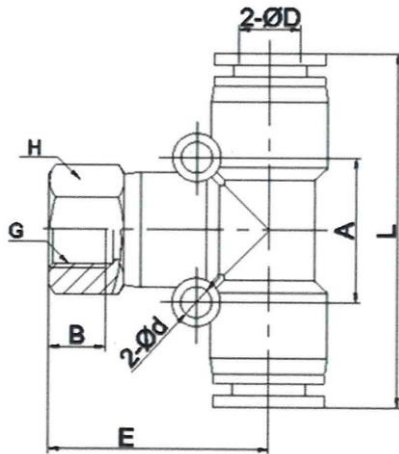


134.014-8



**Male branch Y-fitting, swivel type, conical male thread, coated**

Art. No.	Type No.	Ø D mm	Thread	A mm	B mm	F mm	a/f mm	X1 mm	C mm
109605	134.018-4	4	R 1/8	7.5	42.0	9.0	10	10.0	15.0
109606	134.018-6	6	R 1/8	7.5	43.5	15.7	12	12.0	15.7
109607	134.018-8	8	R 1/8	7.5	46.8	17.2	14	14.0	17.0
109608	134.018-10	10	R 1/8	7.5	56.0	20.8	17	17.0	28.0
109609	134.018-12	12	R 1/8	7.5	59.8	22.9	21	20.0	23.6
109610	134.014-4	4	R ¼	9.5	45.0	9.0	14	10.0	15.4
109611	134.014-6	6	R ¼	9.5	46.0	15.7	14	12.0	15.6
109612	134.014-8	8	R ¼	9.5	48.8	17.2	14	14.0	17.4
109613	134.014-10	10	R ¼	9.5	58.0	20.8	17	17.0	20.2
109614	134.014-12	12	R ¼	9.5	61.8	22.9	21	20.0	22.7
109615	134.038-6	6	R 3/8	10.5	47.5	15.7	17	12.0	15.4
109616	134.038-8	8	R 3/8	10.5	50.3	17.2	17	14.0	17.6
109617	134.038-10	10	R 3/8	10.5	59.0	20.8	17	17.0	20.3
109618	134.038-12	12	R 3/8	10.5	62.8	22.9	21	20.0	22.6
109619	134.038-16	16	R 3/8	10.5	72.0	24.0	24	23.5	23.3
109620	134.012-6	6	R 1/2	13.5	51.0	15.7	21	12.0	15.3
109621	134.012-8	8	R 1/2	13.5	53.8	17.2	21	14.0	17.3
109622	134.012-10	10	R 1/2	13.5	62.5	20.8	21	17.0	20.0
109623	134.012-12	12	R 1/2	13.5	65.8	22.9	21	20.0	23.2
109624	134.012-16	16	R 1/2	13.5	75.0	24.0	24	23.5	23.2



148.018-8

### Male branch T-fitting, swivel type

Art. No.	Type No.	Ø D mm	Thread	L mm	A mm	B mm	E mm	Ød mm	H mm
109509	148.005-4	4	M 5	37.6	14	5	19.5	3.2	10
109510	148.005-6	6	M 5	38.6	16	5	22.0	3.2	12
109511	148.018-4	4	G 1/8	37.6	14	7	24.0	3.2	14
109512	148.018-6	6	G 1/8	38.6	16	7	24.7	3.2	14
109513	148.018-8	8	G 1/8	44.9	18	7	27.3	3.2	14
109514	148.014-4	4	G 1/4	37.6	14	10	27.0	3.2	17
109515	148.014-6	6	G 1/4	38.6	16	10	28.0	3.2	17
109516	148.014-8	8	G 1/4	44.9	18	10	30.3	3.2	17
109517	148.014-10	10	G 1/4	57.0	24	10	35.0	4.2	17
109518	148.038-6	6	G 3/8	38.6	16	11	29.0	3.2	21
109519	148.038-8	8	G 3/8	44.9	18	11	32.0	3.2	21
109520	148.038-10	10	G 3/8	57.0	24	11	37.0	4.2	21
109521	148.012-10	10	G 1/2	57.0	24	13	39.5	4.2	24

\*The suitability test for the individual application is the user's responsibility.